



Released under the RTI Act by DoE



SCHMATIC DIAGRAM ALL CABLES ARE COPPER UNLESS OTHERWISE STATED.



PIPES & PITS

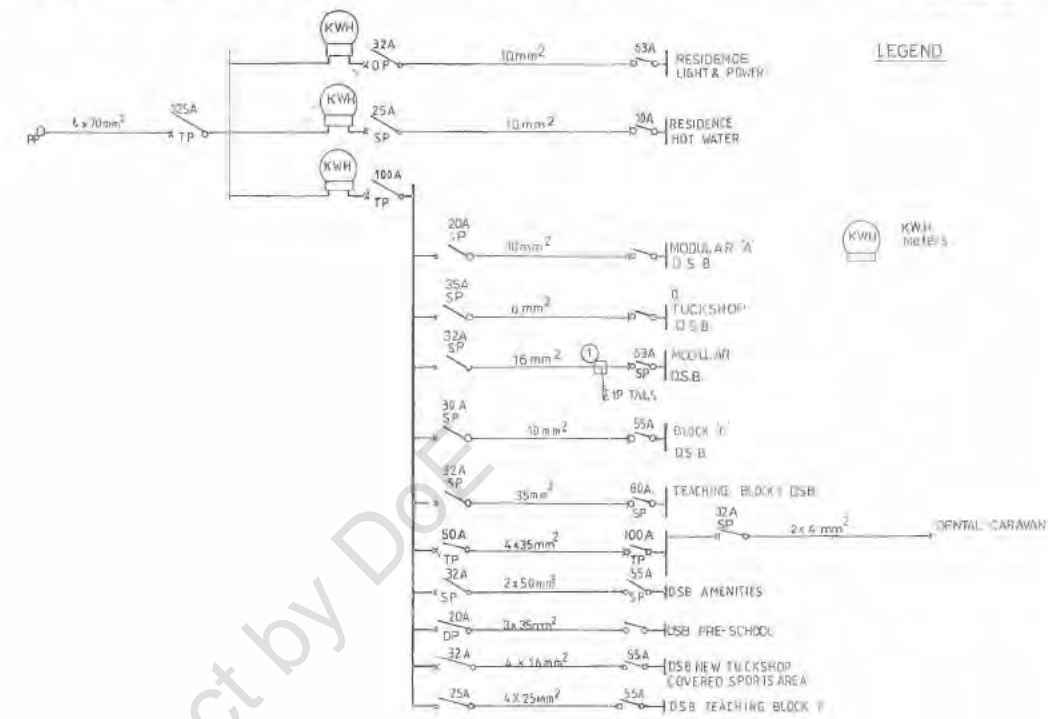
TYPE	TO	PIT #	SIZE
PIT 5	TO	DENTAL OUTLET	1x40mm
PIT 5	TO	PIT 7	3x100mm
PIT 7	TO	MSB	4x100mm
MSB	TO	PIT 3	1x50mm
PIT 3	TO	PIT 4	2x100mm
PIT 4	TO	AMENITIES	1x50mm
MSB	TO	PIT 1	2x63mm
PIT 1	TO	TEACHING BLOCK F	2x63mm
ADMIN.DSB	TO	PRE-SCHOOL	2x50mm
PIT 5	TO	ADMIN	2x50mm

LEGEND

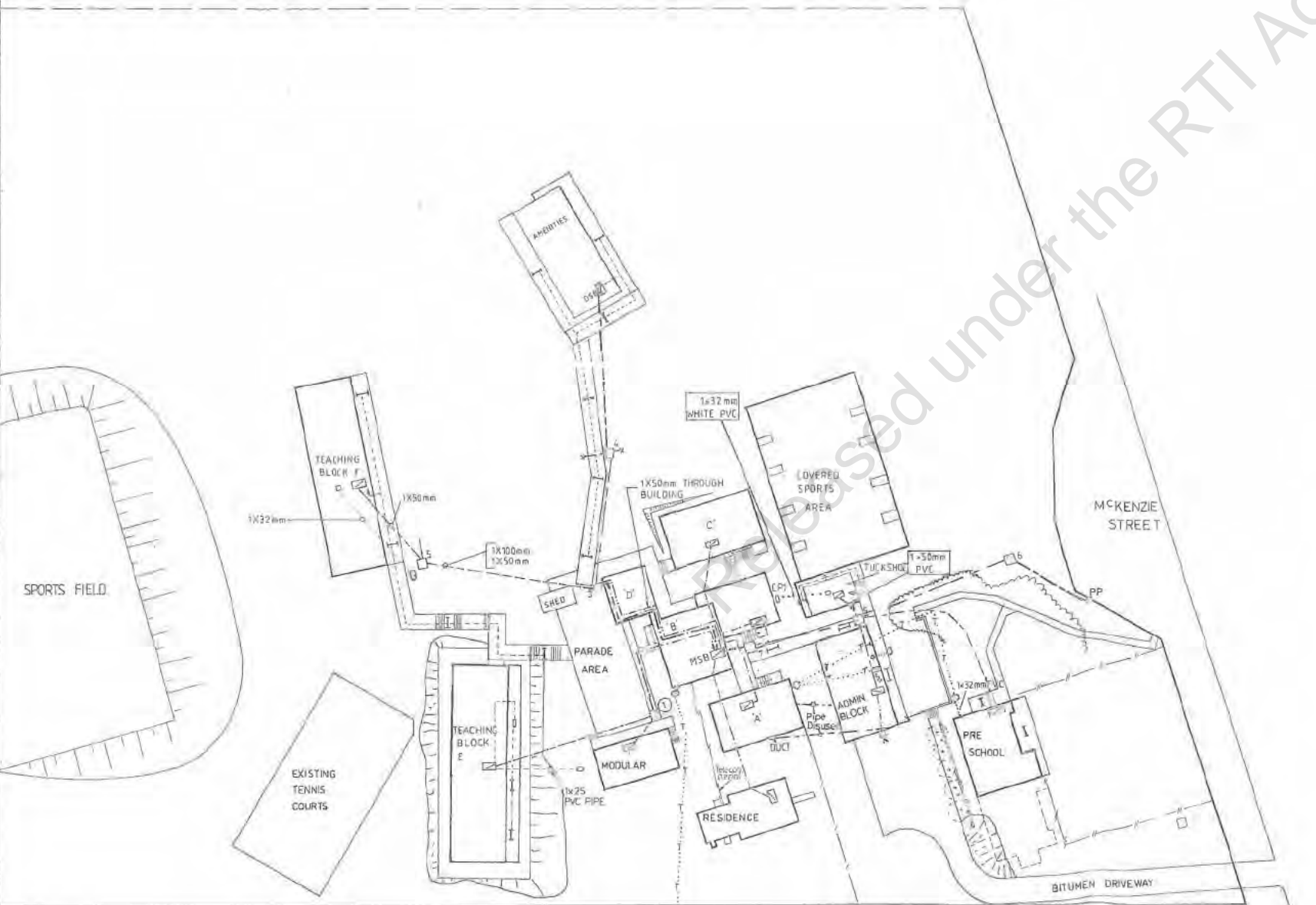
- OPP Property Pole
- M/C Meter Cabinet
- M/SB Main Switch Board
- D/SB Distribution Switch Board
- Existing Cable Pit
- New Cable Pit
- Existing Underground Electrical Pipe
- New Underground Electrical Pipe
- Existing Cable via Building
- New Cable via Building
- Telecom Type Pit
- Intercom Conduit/Cable
- Junction Box
- 1x18 W. Fluorescent Luminaire Type 'V'
- Air Circuit Breaker
- On Load Isolator
- S.P. Single Pole
- D.P. Double Pole
- T.P. Triple Pole
- X Cable Marker
- CK Dental Caravan Outlet
- Underground Pipe Telecom
- Main Distribution Frame
- 2x36W Fluorescent Luminaire Type FX
- Communication Junction Box

NOTES

1. Supply and install new type 9 electrical pit no. 3 where shown.
2. Supply and install 1 x 50 mm and 1 x 100 mm dia. PVC heavy duty conduit underground from existing pit no. 3 to new pit no. 5 as shown.
3. Supply and install 1 x 50 mm dia. PVC heavy duty conduit underground from pit 5 to new DSB located as shown.
4. Supply and install 1 x 50 mm dia. PVC L.D. Conduit from MSB to pit 3. Provide GEL pipe where descending from building to pit 3.
5. Supply and install new telecom type communications pit (JC2) where shown.
6. Supply and install 1 x 32 mm dia. PVC heavy duty conduit underground from new communications pit to communications box in new block as shown.
7. Supply and install 3 phase and neutral 25 mm<sup>2</sup> copper submains and earth from the MSB to the new DSB in the new block. Protect new submains at MSB with a 25 AMP. automatic circuit breaker.
8. Provide a 55 AMP. isolator as a Main Switch in the new DSB in the new block.
9. Supply and install four (4) 1 x 18 W Fluorescent luminaires type 'V' located as shown on the site plan. Supply and install a control relay in the new DSB as per specification and drawings.
10. Heaters are not to be installed.
11. Supply and install a new T.V. antenna and co-axial distribution system as per specification and drawings.
12. Re-instate bitumen where disrupted by trenching.



LEGEND



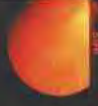
SITE PLAN

APPLICABLE DRAWINGS

- |              |  |
|--------------|--|
| 20191 R-1191 | Electrical Site Plan                           |
| A2SE 1575 C  | Electrical Installation Details                |
| EE 1000A     | Fluorescent Luminaire Type 'T'                 |
| EE 1003B     | Fluorescent Luminaire Type 'C'                 |
| EE 1005      | Fluorescent Luminaire Type 'V'                 |
| PSE 1015C    | Distribution Switchboard Type 'B'              |
| PSE 1016A    | Pit Details                                    |
| PSE 1017D    | Audio System Details                           |
| PSE 1497C    | Inductive Loop Details                         |
| PRS 5161     | Typical Access Lighting Arrangements           |
| A4SE 1516B   | Standard Arrangement of Electrical Accessories |
| A4SE 1628D   | Switch Fan Control Panel Detail                |
| A4SE 1772B   | Ceiling Fan Mounting Detail                    |
| A4SE 1859    | Communications Data Box Type 'A'               |
| EE 1029A     | Fluorescent Luminaire Type 'EM'                |

DATE	SUBJECT	AUTHORISED
AMENDMENTS		
CONSISTANTS IN ASSOCIATION		
PRINCIPAL	DATE	
PRINCIPAL	DATE	
<b>DEPARTMENT OF WORKS QUEENSLAND</b>		
DRAWING NO. 20191-R-1191		
PROJECT AREA/ENG. SUPER ARCH/EXEC/ENG		
DIRECTOR DIVISION OF BUILDING DATE 1.6.90		
<b>DAYBORO STATE SCHOOL</b>		
PROPOSED <b>TEACHING BLOCK</b>		
<b>BLOCK F</b>		
<b>ELECTRICAL SITE PLAN</b>		
SCALE 1:500		
DRAWING NUMBER		SHEET NO.
20191-R-1199		OF

CABOOLTURE 9443  
1:25000 APPROX.




RUN 6  
176-202



17-6-91  
4160m ASL  
350m DATUM

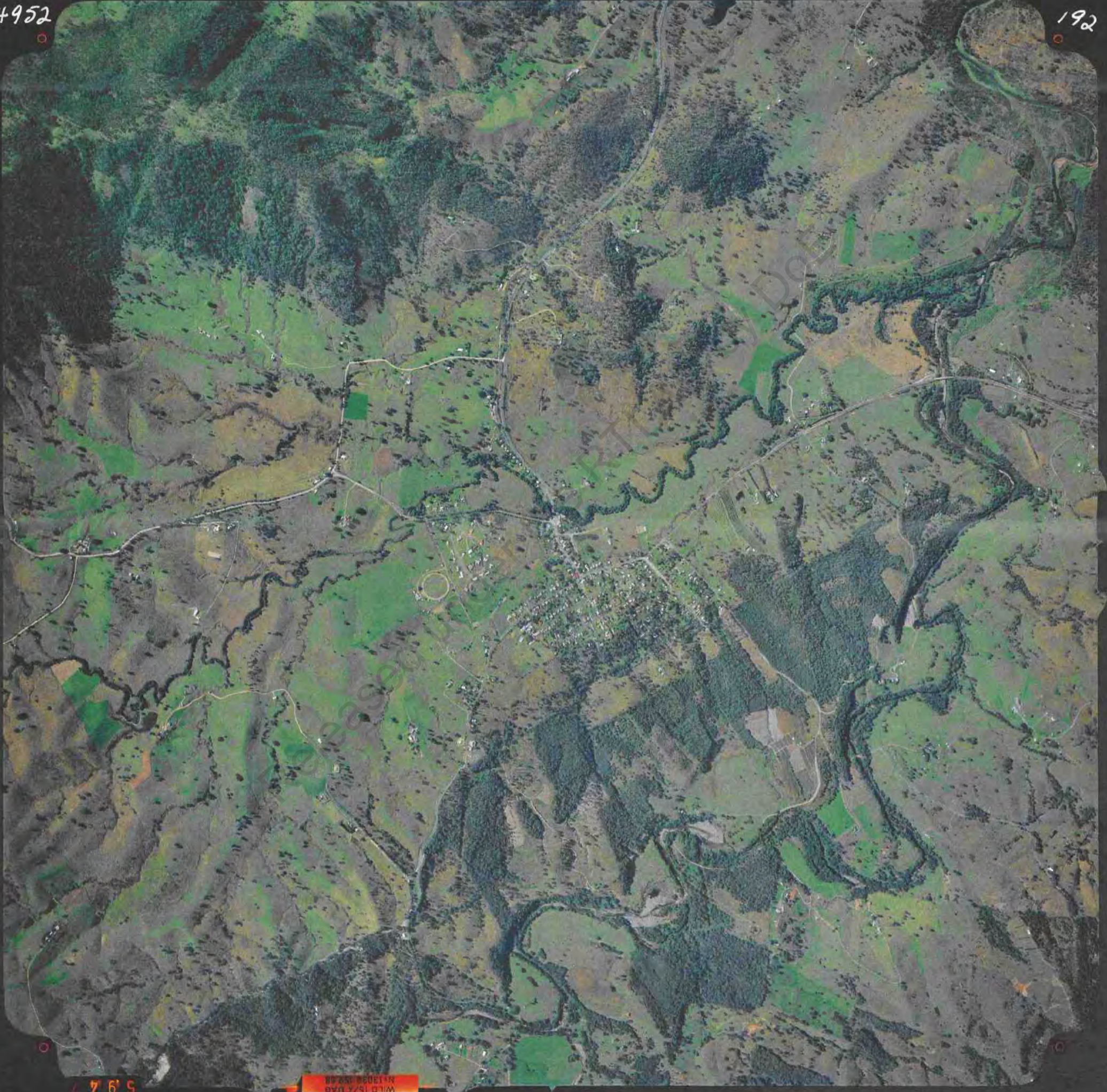


EST  
←

 Crown Copyright Reserved  
Not to be reproduced without  
permission of Surveyor General  
P.O. Box 40 Westborough  
Queensland 4102

Q4952

192



5 6 5

WILD 15/4 UAB  
M1308 15/4 UAB



NOTE : NO VERIFIABLE SITE INFORMATION AVAILABLE AT TIME OF DESIGN. CHECK ALL DIMENSIONS + FALLS ON SITE

1 PROPOSED SITE PLAN  
SCALE 1:500 @ A1 1:1000 @ A3

SCALE 1:1000 @ A3 0 10 20 30 40 50



ISSUE	REVISION	DATE
A	ISSUED	06.05.09
	ISSUE	
	REVISION	
	DATE	
AMENDMENTS		

CLIENT  
BUILT (QLD) PTY LTD

PROJECT  
PROPOSED BUILDING

LOCATION  
DAYBORO STATE SCHOOL  
MCKENZIE STREET, DAYBORO

SCALE	DATE	JOB NUMBER
1/1000 AT A3	MAY 09	3842
DRAWN	CHECKED	APPROVED
247(3)(b) - Contrary		
DRAWING NO. SD 0100		ISSUE A

Cottee Parker Architects Pty Ltd  
ABN 77 010 924 106  
Brisbane Office  
201 Montague Road  
West End QLD 4101  
T 617 3846 7422  
F 617 3846 7433  
W cotteeparker.com.au



